

# ***motostar***

## **LS400**



**MADE IN  
ITALY**

**SLIDING  
GATE  
OPERATOR**

**Usage and  
maintenance manual**

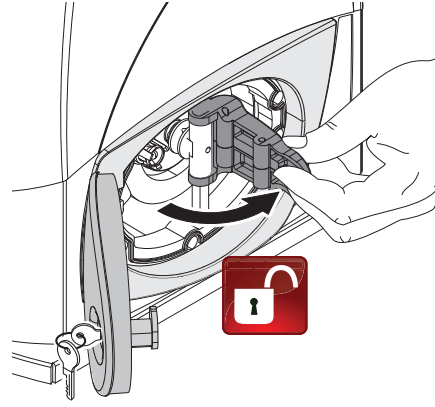
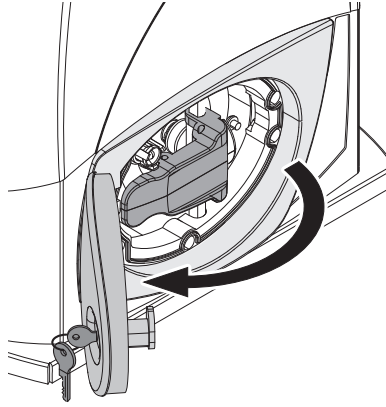
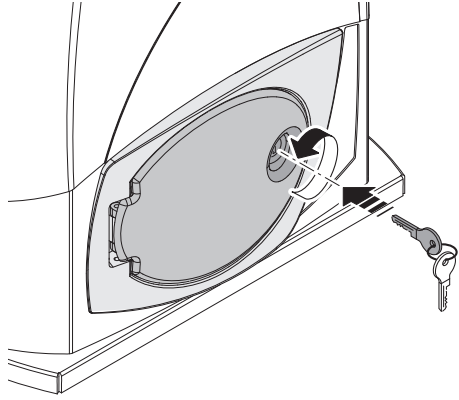
**English**  
Français  
Italiano  
Español  
Português  
Deutsch  
Türk



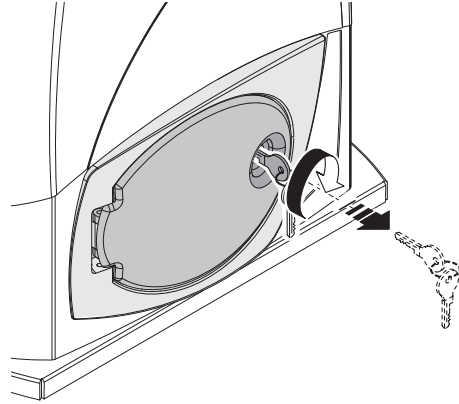
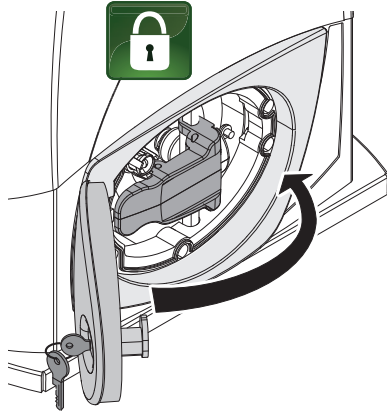
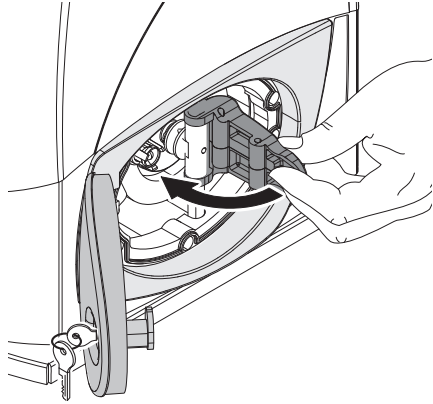
**400 kg max**  
-----  
**8,5 m max**



A



B





***WARNING! Important safety instructions.***  
***Follow these safety instructions carefully. Keep these instructions.***



• This product must only be used for the purpose for which it was designed. Any other use is dangerous. LABEL HABITAT SAS is not liable for any damage caused by improper, erroneous or unreasonable use. • The product supplied by LABEL HABITAT SAS is a piece of “partly completed machinery” (as defined in the Machinery Directive 2006/42/EC). The term “partly completed machinery” means an assembly which is almost machinery but which cannot in itself perform a specific application. Partly completed machinery is only intended to be incorporated into or assembled with other machinery or other partly completed machinery or equipment, thereby forming machinery to which Directive 2006/42/EC applies; The final installation must comply with European Directive 2006/42/EC and the other reference European standards: EN 13241-1, EN 12453, EN 12445 and EN 12635. • **All operations required to complete the operator system must be performed exclusively by expert, qualified personnel** • More information regarding the residual risks related to installation can be requested from the expert, qualified fitter, together with more information on how the command and control devices work • Please ensure you receive and keep all use manuals for the products that make up the final machinery • **Users must not perform operations**

**that are not specifically required of them or specified in the manuals. For repairs, adjustments and non-scheduled maintenance, please contact a specialist technical support centre** • **This appliance can be used by children over 8 years of age, by people with physical or cognitive disabilities, by people lacking experience or knowledge of the device, as long as they are supervised or have been informed about how to use the device safely and about its risks** • Children must not play with the appliance or the controls, including the transmitters • User cleaning and maintenance must not be performed by unsupervised children • Do not work near the hinges or the moving mechanical parts • Keep away from the area of operation when the gate is moving • Always pay special attention to any dangerous points, which must be labelled with specific pictograms and/or black and yellow stripes • Do not counter the gate's movement as this could create a safety risk • The barrier may move at any time and without warning • Do not use the operator if there are people, animals or objects in the area of operation • When using a selector switch or a command in hold-to-run mode, keep checking that there is no-one in the area where any moving parts are in operation. Continue to do so until the command is released. •

Frequently inspect the installation to check for defects and signs of wear or damage to cables, springs and supports. Do not use the appliance if it requires repair or adjustment • If repairs or modifications to the system are required, release the operator and do not use it until the safety conditions have been restored by qualified personnel • Disconnect the electrical power supply before releasing the operator for manual opening and before any other operation, to prevent potentially hazardous situations. Read the instructions • If the power supply cable is damaged, it must be replaced by the manufacturer or authorised technical assistance service or, in any case, by similarly qualified persons, to prevent any risk • Do not access protected internal parts • The device

emits 70 dB or less of sound pressure (A) • In case of malfunction or structural damage, immediately stop use and contact a qualified professional.

Figure **C** shows the main potentially dangerous points:



Danger due to electric voltage;



Danger of crushing;



Danger of foot crushing;



Danger of trapping hands;



No transiting while the barrier is moving.

## MANUALLY RELEASING THE GEARMOTOR

**!** When activating the manual release, the gate may move uncontrollably owing to a mechanical fault or loss of balance.

### RELEASE (figure **A**)

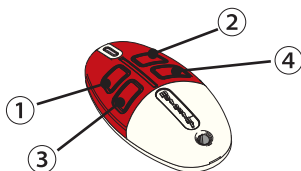
- Insert the personalised key into the lock and turn it anticlockwise.
- Open the hatch and lift the release lever.

### RELEASE (figure **B**)

To block the operator again, lower the lever and close the hatch by turning the key clockwise.

## TRANSMITTER

The table should be filled out by the operator fitter.



Key	Function
1	
2	
3	
4	

## TROUBLESHOOTING

PROBLEM	POSSIBLE CAUSES	FIXES AND REMEDIES
The gate neither opens nor closes	No power supply	Check power supply
	The gearmotor is not locked	Lock the gearmotor
	The transmitter battery is flat	Replace the batteries
	The transmitter is broken	Contact the support service
	The stop button is either jammed or malfunctioning	Contact the support service
	The control button or key selector switch is jammed or faulty	Contact the support service
The gate neither opens nor closes	The photocells are damaged	Contact the support service
	The photocells are engaged	Make sure the photocells are clean and in working order. Contact the support service
The flashing light does not work	LED board damaged	Contact the support service

## MAINTENANCE



***WARNING! The operator must be disconnected from the power supply during cleaning, maintenance and part replacement (excluding operation B).***



At least every 6 months, you should carry out some simple, standard maintenance work.

A - Clean the glass on the photocells using a damp cloth. Do not use solvents or other chemical products.


B - Check that the photocells are operating correctly by passing an object in between them while the gate is moving. If the motion inverts or the manoeuvre is blocked, the photocells are working correctly.

C - Check that there is nothing preventing the operator from functioning correctly, such as overgrown vegetation in the area in which the photocells operate or any structural changes/yielding in the gate or guides.

**For repairs, system alterations and similar, please contact a qualified professional and keep a log of the work carried out.**

## DECOMMISSIONING AND DISPOSAL

 **DISPOSE OF THE PRODUCT RESPONSIBLY** Before disposal, it is always advisable to check the specific laws that apply in your area.

 **DISPOSING OF THE PACKAGING**

The packaging materials (cardboard, plastic, and so on) should be disposed of as solid urban waste, and simply separated from other waste for recycling.

Always make sure you comply with local laws before dismantling and disposing of the product.

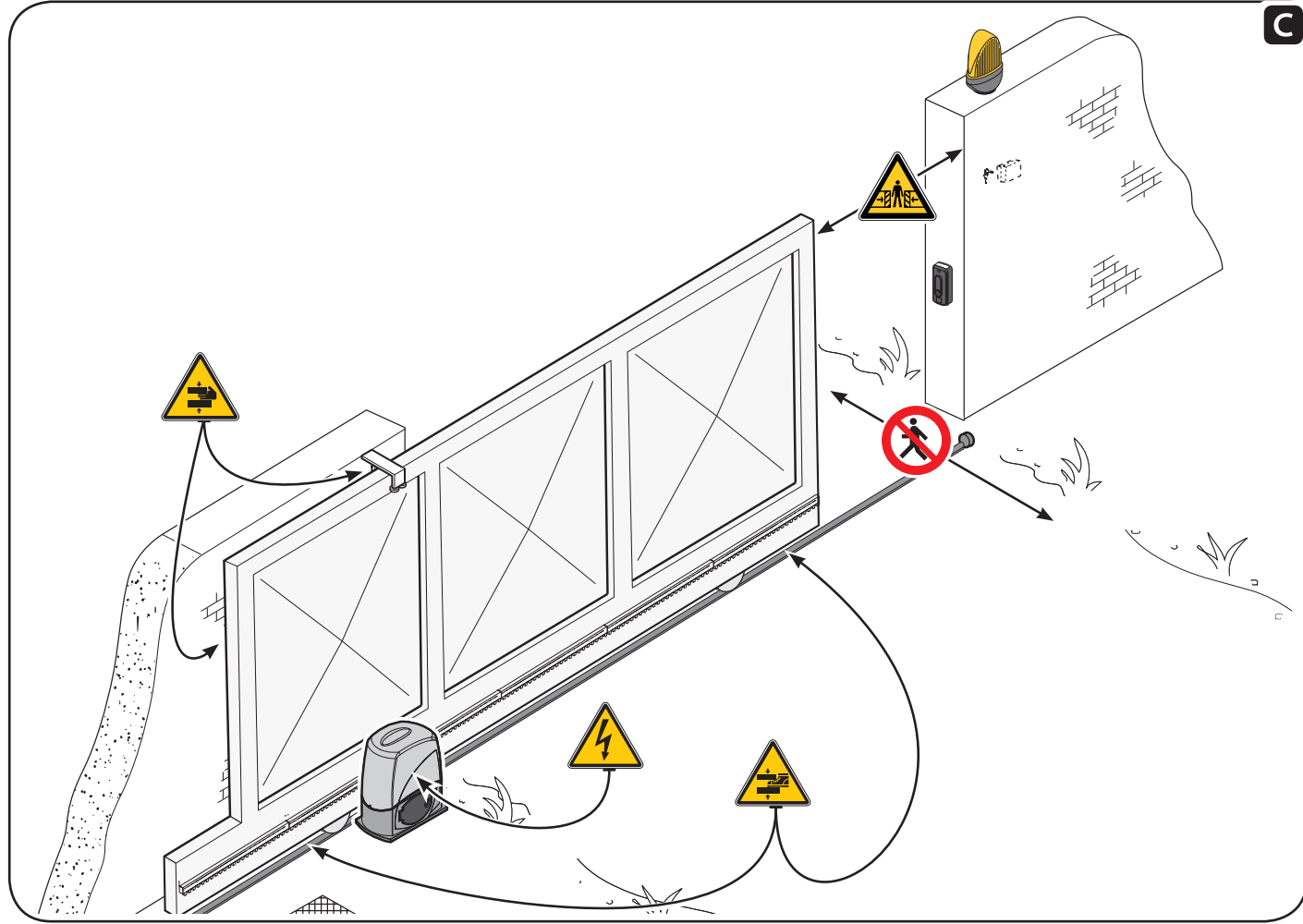
 **DISPOSING OF THE PRODUCT**

Our products are made of various materials. Most of these (aluminium, plastic, iron, electrical cables) are classified as solid urban waste. They can be separated for recycling or disposed of at authorised waste treatment plants.

Other components (control boards, radio-control batteries, etc.) may contain pollutants. They should be removed and given to authorised specialist waste disposal and recycling plants.

## DECLARATION OF CONFORMITY

LABEL HABITAT SAS declares that the product is compliant with the relevant directives in force at the time of production.



***motostar*** is a registered trademark of

**Label Habitat SaS** - 10 rue Léo Lagrange - 27950 Saint Marcel - France



**[www.motostar-smarhome.com](http://www.motostar-smarhome.com)**

**[contact@motostar-smarhome.com](mailto:contact@motostar-smarhome.com)**

 ***FG00702M07***

 **1** -  **03/2017**